

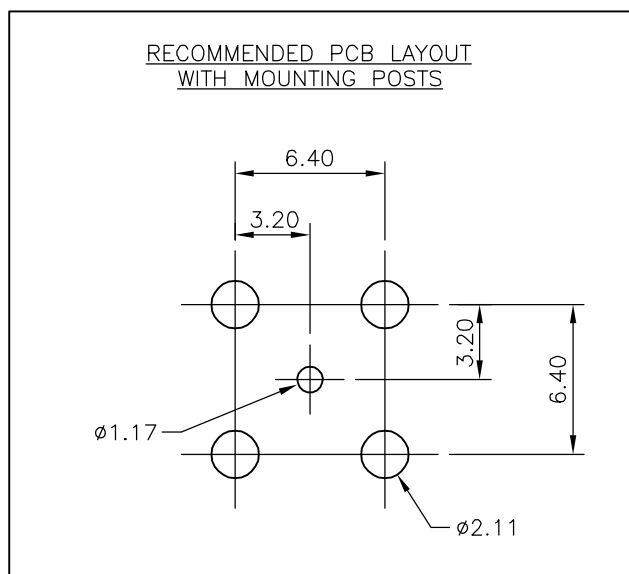
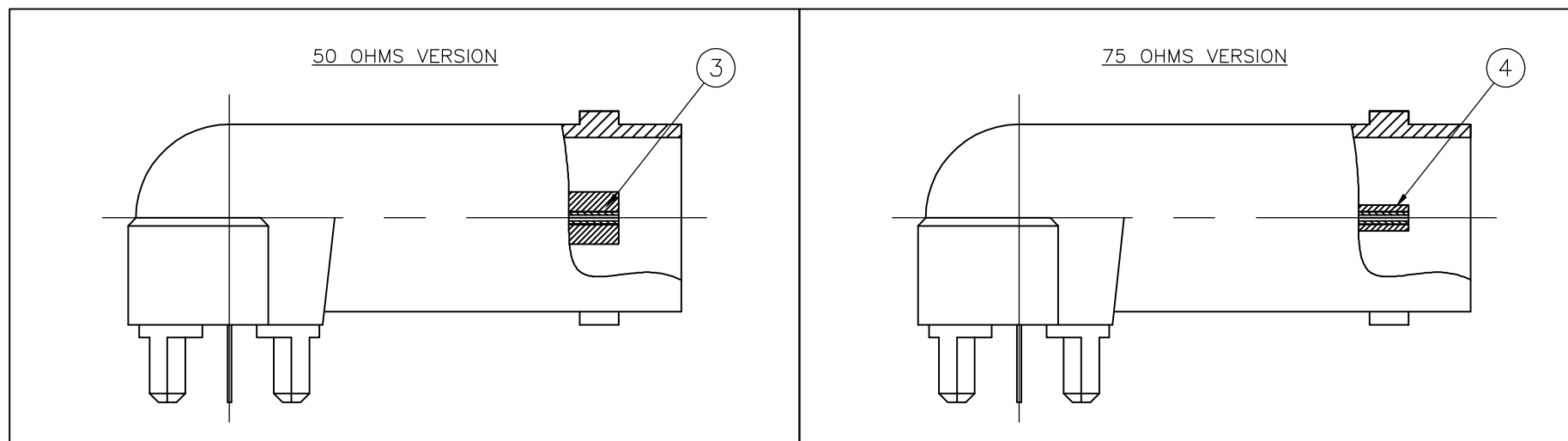
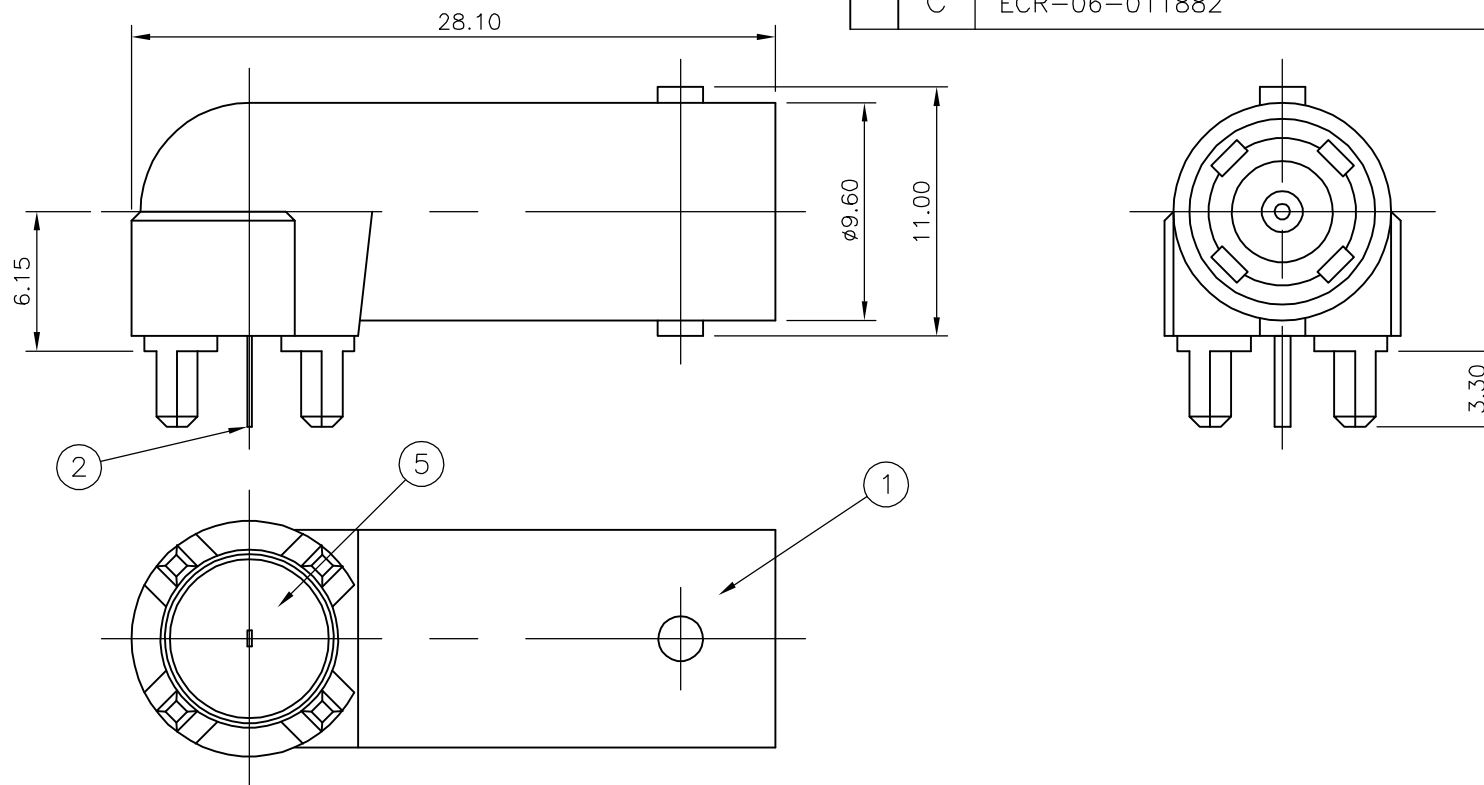
THIS DRAWING IS UNPUBLISHED. RELEASED FOR PUBLICATION FEB ,2004.

© COPYRIGHT 2004 BY TYCO ELECTRONICS CORPORATION. ALL RIGHTS RESERVED.

LOC	DIST	REVISIONS					
E	B	P	LTR	DESCRIPTION	DATE	DWN	APVD
		C		ECR-06-011882	17MAY06	JMS	FWK

NOTES

- 1 100 TRAY PACK IN ACCORDANCE WITH AMP SPEC 107-3275
- 2 SINGLE PACK IN ACCORDANCE WITH AMP SPEC 107-3275
- 3 Au PLATING
- 4 Ni PLATING
- 5 CHARACTERISTICS
 FREQUENCY RANGE (50 OHMS): DC-4GHz
 FREQUENCY RANGE (75 OHMS): DC-2GHz
 INSULATION RESISTANCE: 5000 MOHMS
 WORKING VOLTAGE: 500V
 DIELECTRIC WITHSTAND VOLTAGE: 1500V RMS
 TEMPERATURE RATE: -55°C TO +85°C
 CONTACT RESISTANCE: 3 mOHMS
- 6 MECHANICAL CHARACTERISTICS
 DURABILITY: 50 CYCLES
- 7 FOR TECHNICAL DATA REFER TO YOUR LOCAL TYCO ELECTRONICS SALES OFFICE
- 8 ALL DIMENSIONS ARE NOMINAL FOR REFERENCE ONLY UNLESS OTHERWISE STATED



				1	1	1	1	PTFE	INSULATOR	5
				1	1	-	-	TPX	INSULATOR	4
				-	-	1	1	TPX	INSULATOR	3
				1	1	1	1	PHOS BRONZE	CONTACT	2
				1	1	1	1	ZINC ALLOY	BODY	1
				5--3	5--2	5--1	5--0	MATERIAL	DESCRIPTION	ITEM
				1	1	1	1			
QUANTITY PER ASSY										PARTS LIST

THIS DRAWING IS A CONTROLLED DOCUMENT.		DWN J.SANDWELL 25FEB04	Tyco Electronics Corporation Bideford, UK, EX39 4HE	
DIMENSIONS: MM		CHK S.PARLOW 25FEB04		
TOLERANCES UNLESS OTHERWISE SPECIFIED:		APVD F.WHEELER-KING 25FEB04	NAME BNC LOW PROFILE ELBOW SOCKET	
0 PLC ± - 1 PLC ± - 2 PLC ± - 3 PLC ± - 4 PLC ± - ANGLES ± -		PRODUCT SPEC -	RESTRICTED TO -	
MATERIAL SEE TABLE		FINISH SEE TABLE	APPLICATION SPEC -	SIZE A3
		WEIGHT -	CAGE CODE 00779	DRAWING NO C-1634513
CUSTOMER DRAWING			SCALE NTS	SHEET 1 OF 1
			REV C	